

3MP 33x IR Network PTZ Dome Camera

IPC6253SR-X33



Key Features

Optics

- 33x optical zoom
- Accurate and fast focusing
- Up to 120 dB WDR(Wide Dynamic Range)
- Smart IR, up to200 m (656ft) IR distance
- IR anti-reflection window to increase the infrared transmittance

Compression

- Ultra 265,H.265, H.264, MJPEG
- Embedded smart algorithm
- Triple streams
- Customized OSD

Network

ONVIF Conformance

Structure

15° Elevation Angle

Innovative snow-removing functionality

More effective heat dissipation system

Intelligent temperature control technology

6 KV surge protection designed for network interface

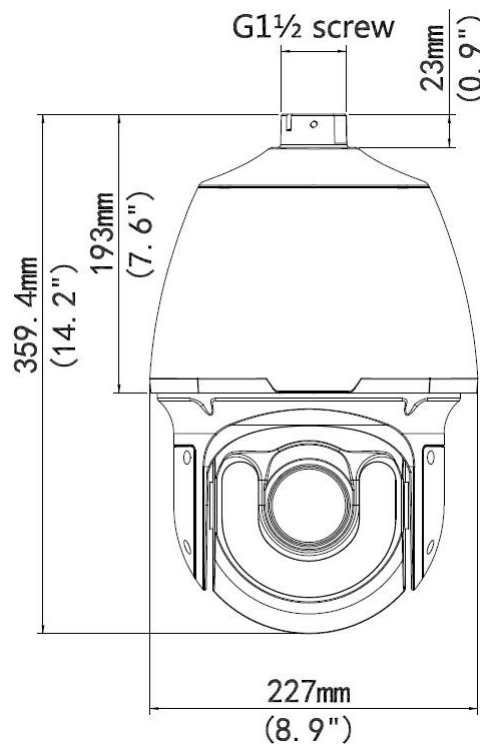
Specifications

IPC6253SR-X33					
Camera					
Sensor	1/2.8", progressive scan, 3.0 megapixel, CMOS				
Lens	4.5 ~ 148.5mm ,AF automatic focusing and motorized zoom lens				
Digital Zoom	16				
Optical Zoom	33				
DORI Distance	Lens	Detect(m)	Observe(m)	Recognize(m)	Identify(m)
	4.5mm	63.1	25.2	12.6	6.3
	148.5mm	2081.8	832.7	416.4	208.2
Angle of View (H)	58.7°~ 2.9°				
Angle of View (V)	57.4°~1.9°				
Angle of View (O)	72.2°~3.4°				
Shutter	Auto/Manual; shutter time: 1 ~ 1/100000 s				
Minimum Illumination	Colour: 0.003Lux (F1.6,AGC ON) 0 Lux with IR				
Iris	Auto/Manual; F1.6 ~ F5.3				
Day/Night	IR-cut filter with auto switch (ICR)				
Digital noise reduction	2D/3D DNR				
S/N	>55dB				
IR Range	UP to 200m (656ft)				
Defog	Digital Defog				
WDR	120dB				
Video					
Video Compression	Ultra 265,H.265, H.264, MJPEG				
H.264 code profile	Baseline profile, Main Profile, High Profile				
Frame Rate	Main Stream:3MP (2048×1536):Max.30 fps,1080P (1920×1080):Max.60 fps; Sub Stream:2MP (1920×1080):Max. 60 fps; Third Stream: D1 (720×576): Max. 60 fps				
HLC	Supported				

BLC	Supported
EIS	Supported
OSD	Up to 8 OSDs
Privacy Mask	Up to 24 areas
ROI	Up to 8 areas
Motion Detection	Up to 4 areas
Smart	
Behavior Detection	Intrusion, cross line, motion detection, Auto tracking
Intrusion	Enter and loiter in a pre-defined virtual region
cross line	Cross a pre-defined virtual line
motion detection	Moving within a pre-defined virtual region
auto tracking	Tracking the specified target
Recognition:	Face detection、Audio detection
Intelligent Identification	Defocus, Scene Change, Object Left, Object Moving
Statistical Analysis	People counting
General Function	Watermark, IP Address Filtering, Tampering Alarm, Alarm input, Alarm output, Access Policy, ARP Protection, RTSP Authentication, User Authentication
Audio	
Audio Compression	G.711
Two-way audio	Supported
Suppression	Supported
Sampling Rate	8 KHZ
Storage	
Edge Storage	Micro SD, up to 256 GB
Network Storage	ANR
Network	
Protocols	IPv4, IGMP, ICMP, ARP, TCP, UDP, DHCP, PPPoE, RTP, RTSP, RTCP, DNS, DDNS, NTP, FTP, UPnP, HTTP, HTTPS, SMTP, 802.1x, SNMP
Compatible Integration	ONVIF(Profile S, Profile G, Profile T),API
Pan & Tilt	
Pan Range	360° (endless)
Pan Speed	0.1°/s ~ 240°/s
	Preset speed: 300°/s
Tilt Range	-15° ~ +90° (auto reverse)
Tilt Speed	0.1° ~ 160°/s
	Preset speed: 240°/s
Number of Presets	1024
Patrol	Preset patrol, route patrol, recorded patrol
Home Position	Supported
Interface	
Audio I/O	Audio cable
	Input: impedance 35 kΩ; amplitude 2 V [p-p]
	Output: impedance 600 Ω; amplitude 2 V [p-p]
Alarm I/O	2 / 1
Serial Port	1 RS485

Network	1 RJ45 10M/100M Base-TX Ethernet
Video Output	1 BNC, impedance 75 Ω; amplitude 1 V [p-p]
General	
Power	24 V AC (Default) ±25%, 24 V DC±25%
	Power consumption: 11~47W
Dimensions(ØxH)	Ø227x359.4 mm (Ø8.9" x 14.2")
Weight	5.5kg (12.1lb)
Working Environment	-40°C ~ +70°C (-40°F ~ 158°F), Humidity :10%~ 95% RH(non-condensing)
Ingress Protection	IP66
Reset Button	Supported

Dimensions



Zhejiang Uniview Technologies Co., Ltd.

Building No.10, Wanlun Science Park, Jiangling Road 88, Binjiang District, Hangzhou, Zhejiang, China (310051)

Email: overseasbusiness@uniview.com; globalsupport@uniview.com

<http://www.uniview.com>

©2016-2018Zhejiang Uniview Technologies Co., Ltd. All rights reserved.

*Product specifications and availability are subject to change without notice.